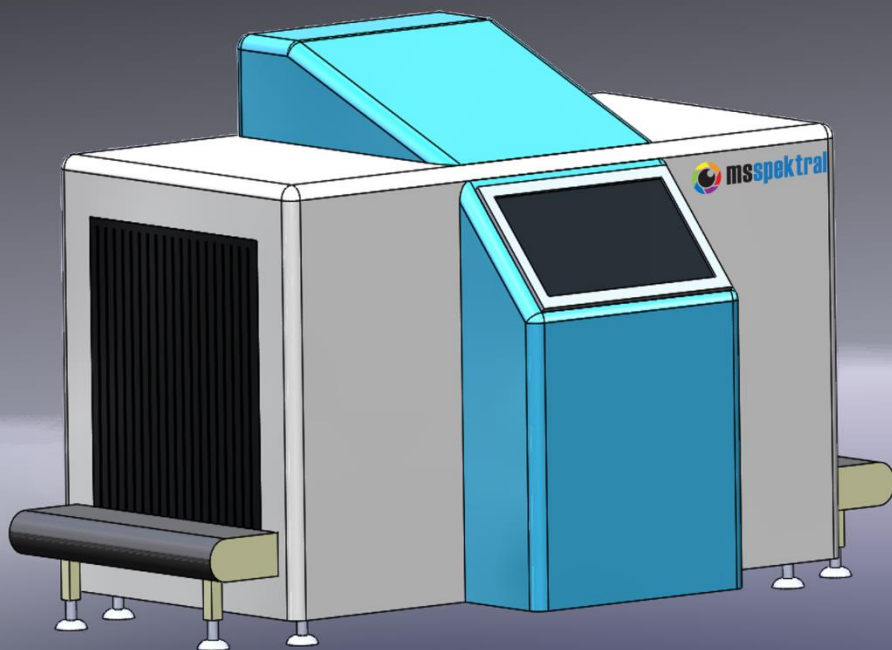




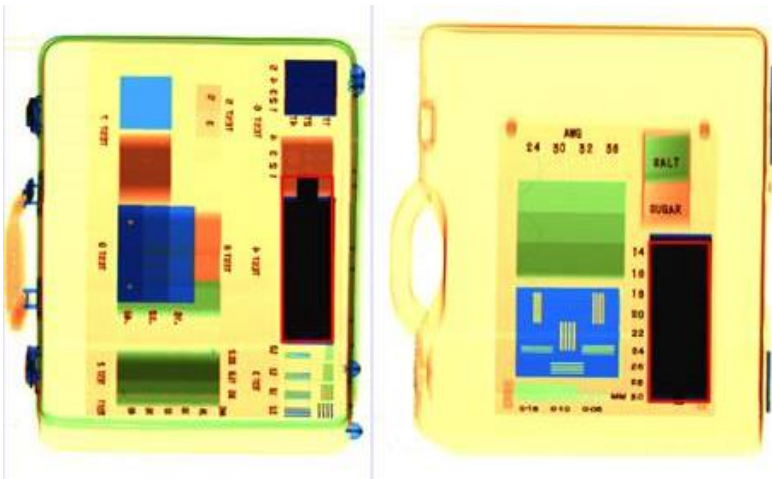
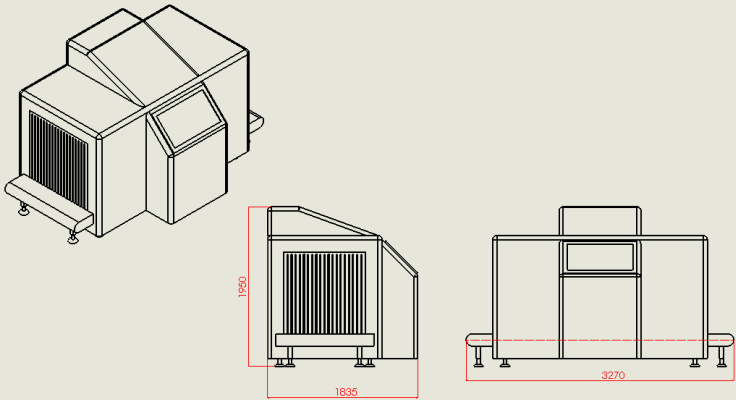
100x100cm X-RAY Baggage Scanner System

FOTON-X100100

- 100cmx100cm tunnel size for large baggage scanning
- Low conveyor band height for ease of heavy baggages
- Single Generator with Dual Energy and L-Shaped Detector
- Classification based on atomic number
- Storing the scanned image of the luggage with the date information and the video of the baggage owner
- An innovative solution for airport and custom expectations



By detecting dual X-RAY energy levels, the device can automatically classify the objects in the package based on its atomic number. With the help of the camera on the device, the video image and date information of the person placing the package is recorded together with the X-Ray package images. The device can create virtual threats using its threat library. With the conveyor height close to the ground, heavy packages can be easily placed in the device.



SPECIFICATIONS

SPECIFICATIONS

Tunnel Size	100cm x 100cm
Anode Voltage	160kV
Wire Resolution	38 AWG
Penetration	32mm steel
Scan direction	Bidirectional scan
Storage	>50.000 images
Video Recording	Bidirectional video record
Conveyor max load	200kg
Operating Temperature	0°C ~ +40°C
Operation Humidity	≤%90 relative humidity

IMAGE SPECIFICATIONS

Imaging Technique	Dual Generator, Dual view 2
Grayscale Image Depth	16bit (65536 levels)
Grayscale Image Depth	8bit (256 levels)
Imaging Mode	20 modes
Classification	Organic – Inorganic/Light Metals – Metals
Zoom	64X

MS SPEKTRAL SAVUNMA SANAYİ A.Ş. MS SPEKTRAL DEFENCE INDUSTRY

Hacettepe Teknokent Beytepe Kampüsü
4.AR-GE Binası B-Blok No:95/2 06800
Beytepe, Çankaya - ANKARA / TÜRKİYE

Tel: +90 534 225 6368
email: info@msspektral.com
www.msspektral.com

