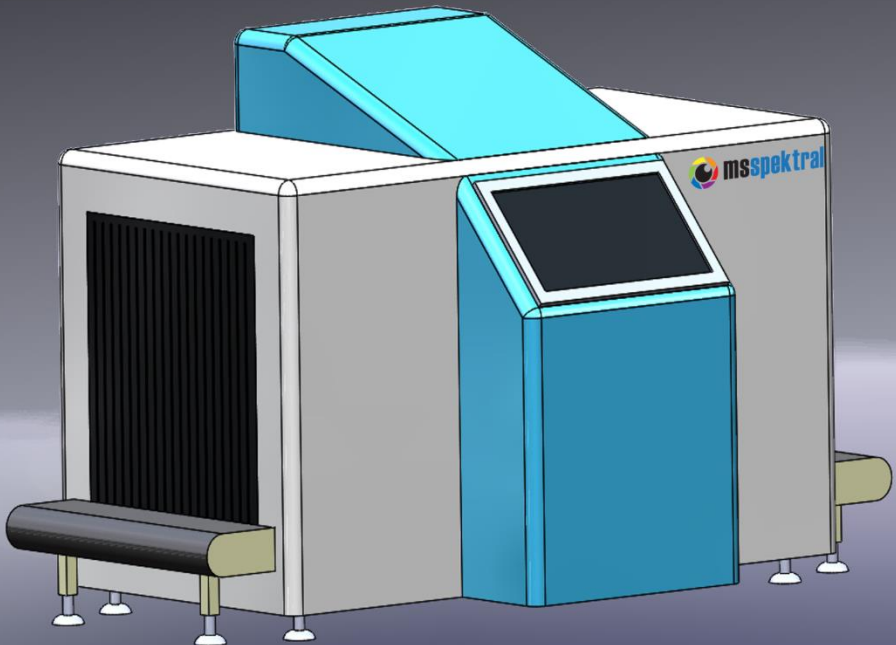




Dual Generator X-RAY Cargo Scanner

FOTON-X150150D Dual

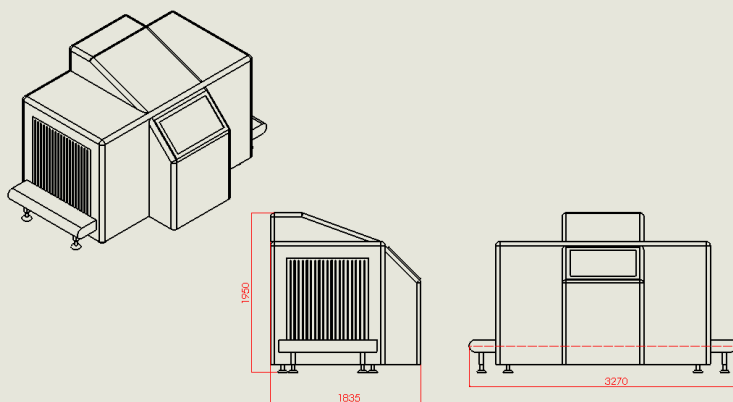
- 150cmx150cm tunnel size for large Cargo scanning
- Low conveyor band height for ease of heavy Cargo
- In order to increase baggage scanning security level, generating perspective images with Dual Generator and dedector series, dedecting the threat.
- Classification based on atomic number
- Storing the scanned image of the Cargo with the date information and the video of the baggage owner
- An innovative solution for airport and custom expectations



Standard X-Ray Cargo Screening Systems can do 2D imaging and vertically placed sharp objects cannot be displayed in 2D systems.

With Dual Generator FOTON-X150150D Dual, capable of taking two different perspective image, sharp objects placed vertically can be clearly detected.

This product can take 2 different images at once, and thus decrease the investigation time.



The product with its dual energy level detectors and image processing ability, can classify objects in the Cargo automatically based on atomic number.

The system stores scanned image of Cargo with the video of person who placed the Cargo by help of the integrated video cameras. In addition, the system can create artificial threats through the threat image projection library.

With its low conveyor band height, heavy Cargo can easily be placed on the conveyer.

SPECIFICATIONS

SPECIFICATIONS

Tunnel Size	150cm x 150cm
Anode Voltage	400kV
Wire Resolution	36 AWG
Penetration	28mm steel
Scan direction	Bidirectional scan
Storage	>50.000 images
Video Recording	Bidirectional video record
Conveyor max load	200kg
Operating Temperature	0°C ~ +40°C
Operation Humidity	≤%90 relative humidity

IMAGE SPECIFICATIONS

Imaging Technique	Dual Generator, Dual view 2
Grayscale Image Depth	16bit (65536 levels)
Grayscale Image Depth	8bit (256 levels)
Imaging Mode	20 modes
Classification	Organic – Inorganic/Light Metals – Metals
Zoom	64X

MS SPEKTRAL SAVUNMA SANAYİ A.Ş. MS SPEKTRAL DEFENCE INDUSTRY

Hacettepe Teknokent Beytepe Kampüsü
4.AR-GE Binası B-Blok No:95/2 06800
Beytepe, Çankaya - ANKARA / TÜRKİYE

Tel: +90 534 225 6368
email: info@msspektral.com
www.msspektral.com

